

## SkyDRM for SolidWorks

Protect Data at Rest, Shared File, and Payload



### OVERVIEW

SolidWorks is a leading 3D CAD application used for solid modeling, computer-aided engineering, and product data management. It is widely utilized in various industries for designing and developing products, from simple parts to complex assemblies. Customers often need to share the designs from SolidWorks with external partners to bring products to market faster, improve innovation and increase cost-effectiveness.

Sharing design documents with external partners provides these business advantages, but also introduces potential security risks, including the following:

- **Data Breaches:** If an external partner's security measures are inadequate, sensitive design information can be exposed to unauthorized parties.
- **Intellectual Property Theft:** Proprietary designs can be stolen or misused by partners or third parties.
- **Compliance Violations:** Sharing sensitive information without proper safeguards can lead to violations of data protection regulations, resulting in legal and financial penalties.
- **Supply Chain Attacks:** Cyber attackers can target external partners to gain access to design documents, exploiting vulnerabilities in their systems.

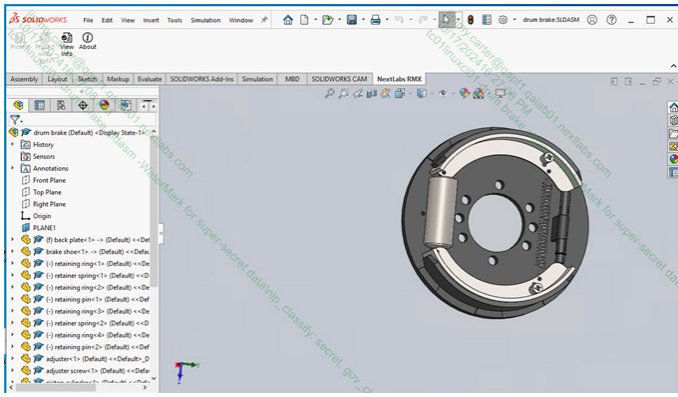
### THE SOLUTION

To mitigate these risks, it is crucial to implement strong measures such as:

- **Data Encryption:** To protect data both in transit when it is shared, and at rest.
- **Access and Usage Controls:** Implement the principle of least privileged access, limiting access to sensitive documents to only users who need them.
- **Regular Audits:** Conduct regular security audits of partners to ensure compliance with security standards.

### SOLUTION COMPONENTS

NextLabs' SkyDRM is Enterprise Digital Rights Management (E-DRM) designed to protect data in use, in transit, at rest and when shared across extended enterprises with audit capabilities. With SkyDRM, any file type can be protected and accessed from any device to ensure secure collaboration with access and usage controls. SkyDRM integrates seamlessly with SolidWorks through a Rights Management Extension (RMX) to allow authorized users to open, view, import, export, and even modify the protected files natively within SolidWorks, providing persistent data protection for secure collaboration with internal users and external partners.



## KEY FEATURES

KEY FEATURES	
Classifying and Rights Protection	Classify and protect files as well as view classifications and permissions on protected files directly within SolidWorks
Access Control	Allow authorized users to open the protected file within SolidWorks
Usage Control	Enforce permissions granted on the protected file to control the commands (edit / save as / import / export / print / screen capture) a user can execute within SolidWorks
Persistent Protection	Protect a new file automatically if it is generated (save / save as / export) from a protected file within SolidWorks, transferring the source file's metadata to the target file
Dynamic Watermark	Show a secure overlay that contains dynamic policy-configured watermark text when opening a protected file in SolidWorks
Anti-Screen Capture	Design screens cannot be captured by screenshot tools or shared by video communication software without proper rights
Centralized Visibility	Centralized monitoring and reporting on data use for full visibility
Support SWIM	Enable customers to leverage SWIM (SolidWorks Integration Manager with Teamcenter) for seamless integration of SolidWorks design capabilities with Teamcenter's product lifecycle management.

## ABOUT NEXTLABS

NextLabs®, Inc. provides zero trust data-centric security software to protect business critical data and applications. Our patented dynamic authorization technology and industry leading attribute-based zero trust policy platform helps enterprises identify and protect sensitive data, monitor and control access to the data, and prevent regulatory violations – whether in the cloud or on premises. The software automates enforcement of security controls and compliance policies to enable secure information sharing across the extended enterprise. NextLabs has some of the largest global enterprises as customers and has strategic relationships with industry leaders such as SAP, Siemens, Microsoft, AWS, Accenture, Deloitte, Infosys, and IBM. For more information on NextLabs, please visit <http://www.nextlabs.com>.

## KEY COMPONENTS

KEY COMPONENTS	
SkyDRM Rights Management Server (RMS)	SkyDRM Rights Management Server provides end-to-end protection of sensitive data with authorization, rights protection, rights enforcement, and document activity monitoring
SkyDRM Rights Management Desktop (RMD)	Document owners and collaborators can use SkyDRM Desktop for Windows to protect sensitive documents at creation, view and edit protected documents using native applications, share data securely, even offline, and provide the sanctuary folder functionality
SkyDRM RMX for SolidWorks	SkyDRM RMX for SolidWorks allows authorized users to open, view, export, and modify the protected files using SolidWorks software natively

## BENEFITS

BENEFITS	
Secure Information Sharing	Enable product data to be securely shared between design partners, suppliers, foreign employees, joint ventures, and customers worldwide by providing policy-driven protection and an end-to-end audit trail
Improved Compliance	Improve compliance and governance programs by automating information controls for sensitive product data with a comprehensive audit trail
Complete Data Protection	Protect sensitive product data by controlling access and usage as data moves across PLM, CAD, and Visualization systems. Protect data regardless of where it is – in a public Cloud, in SaaS applications, or on the move
Rapid Deployment and Adoption	Deep integration and zero-code client installation allows for rapid deployment among the extended partner networks